



17 March 2018

Service Crew Instructions



SERVICE INSTRUCTIONS

Notes to Service Crews

Service Crews are advised that they should plan their trip to Imbil Showgrounds to allow ample time, approximately 2 hours from Brisbane. As a sport, we require the permission of many Government Departments and Agencies and Councils and our actions are highly visible to the public and these organisations. Therefore we request that all Service Crews be mindful of their activities and behaviour and we certainly don't need any crews emulating rally drivers. Also be very mindful of the one way traffic arrangements operating in Edward Street. It is ONE WAY TRAFFIC once past the Imbil Public Hall.

Take advantage of the great catering on offer from the Mary Valley Show Society and also if you have some spare time, we have two close by spectator points where cars will come through three times during the course of the event.

As each car's odometer readings are different the distances shown may differ from that shown by your vehicle. Therefore, you may need to take account of these differences when following the attached instructions

If your competing crew are unable to continue during the event, every reasonable effort will be made to contact you and advice of their location, as is the case in all other rallies

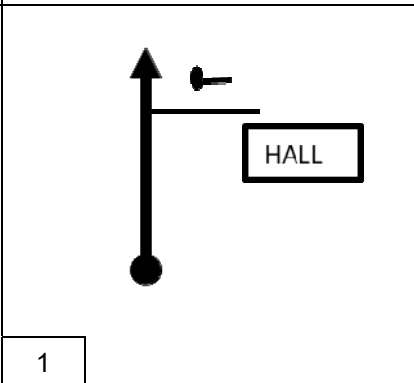
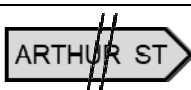
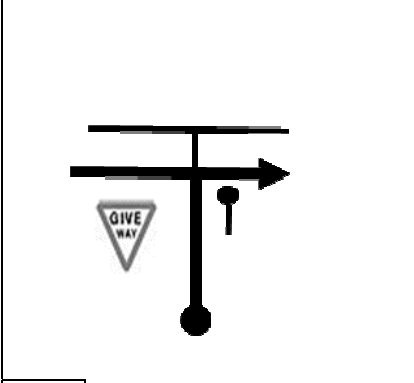


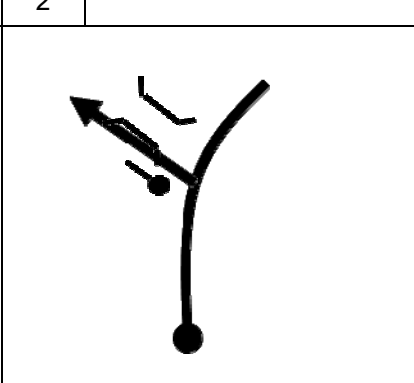
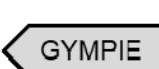
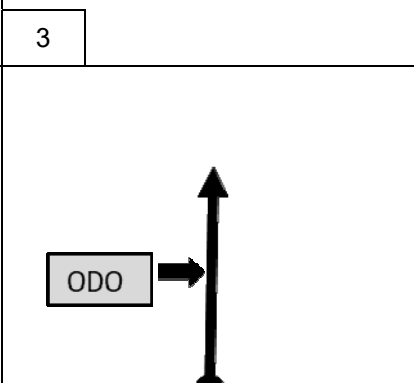
The organisers trust that you will have a safe and enjoyable event.

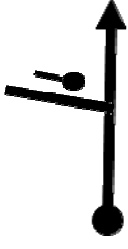

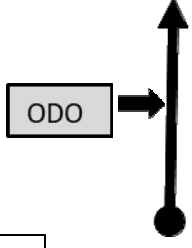

Peter Flynn
Clerk of Course

SERVICE SCHEDULE

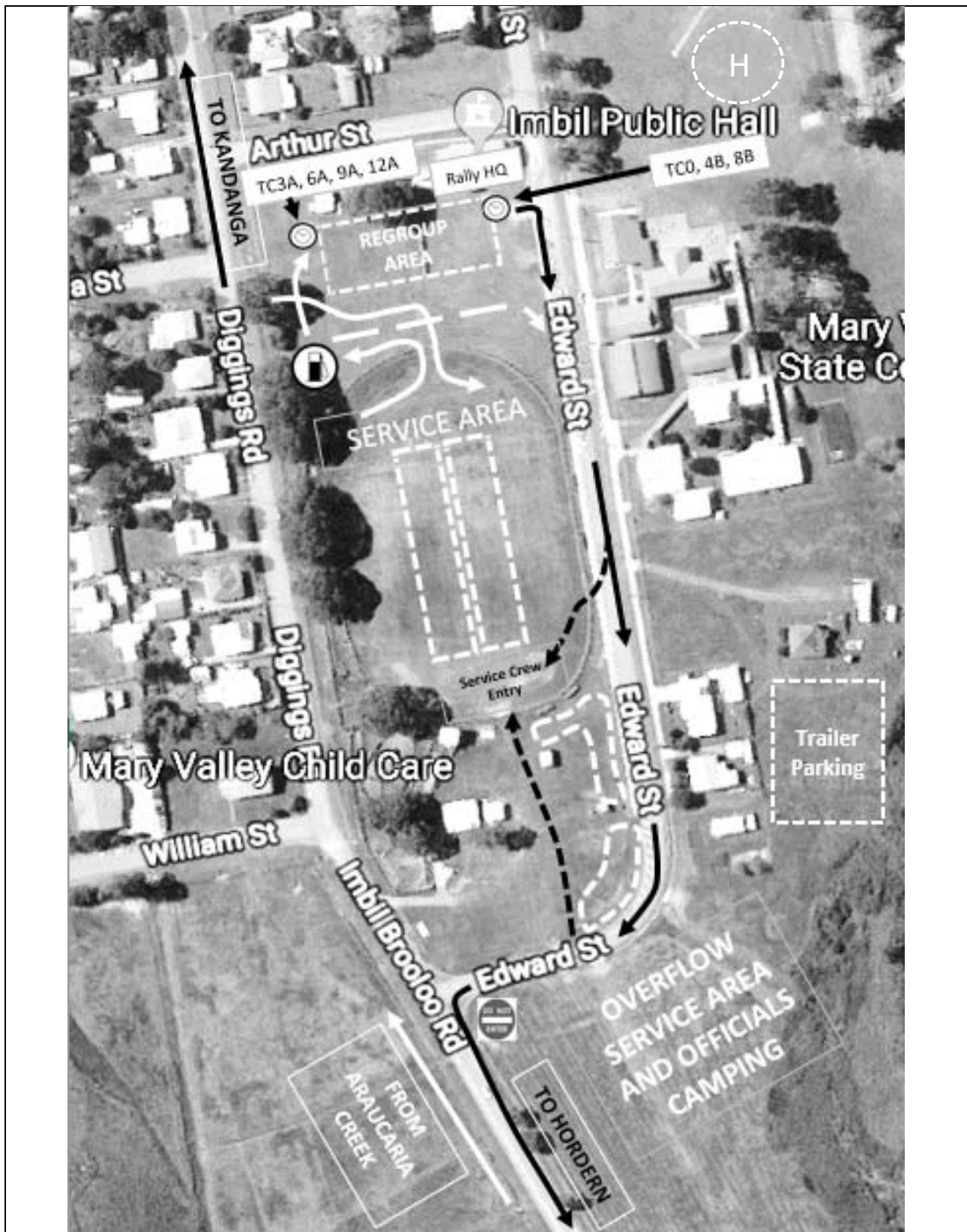
Service Point / Refuel	Location	Estimated Arrival of First Car	Estimated Service/Refuel Time Allowed	Comment
1. Optional refuel between stages	Imbil Showgrounds	12:45 hrs	8 mins	End of SS2
2. Service & Refuel	Imbil Showgrounds	14:14 hrs	20 mins (included in Target Time)	End of SS4
3. Optional refuel between stages	Imbil Showgrounds	15:45 hrs	5 mins	End of SS6
4. Service & Refuel	Imbil Showgrounds	17:13 hrs	30 mins (included in Target Time)	End of SS8
5. Finish of Event and Parc Ferme	Imbil Showground	19:35 hrs		End of SS11

ODOMETER CHECK 5km

DISTANCE		DIRECTION	INFORMATION
TOTAL	PART		
0.00	0.00		 Start at corner near Imbil Hall
0.19	0.19		TR  
0.46	0.27		TL 
1.14	0.68		Start 5km ODO check

<p>5.35</p>	<p>4.21</p>	<div style="border: 1px solid black; width: 40px; height: 20px; margin: 0 auto; text-align: center; line-height: 20px;">5</div> 	<div style="text-align: right; margin-bottom: 20px;">  </div> <p>SO</p>
<p>6.14</p>	<p>0.79</p>	<div style="border: 1px solid black; width: 40px; height: 20px; margin: 0 auto; text-align: center; line-height: 20px;">6</div> 	<p>End 5km ODO check</p>
			<p>When safe U-turn and return to Imbil</p>

SERVICE PARK MAP



Service Crew Entry and Exit

The area between the hall (Rally HQ) and the main ring area, marked as 'Regroup Area' in the above map is mainly dedicated to rally traffic, refuel and regroup. Service crews are encouraged to enter and exit the service park via the side entrance in Edward street as shown just past the school and the southern entrance past the amenities block.

Speed Limits within and around Service Park Area

All service and spectator instructions have included speed limits where appropriate. **These are to be adhered to at all times.**

The Showgrounds will become a busy place with traffic including Officials, competing crews, service vehicles, in addition to pedestrians. We have many families attending the event and as such young children could also be running, walking and playing, please be attentive and respect the safety all attendees.

Refuelling Arrangements:

Service Crews are reminded regarding the general requirements regarding refuelling and to use the dedicated refuel facility provided near the regroup area. (refer map for location).

Trailers

A trailer parking area has been set aside behind the overflow service and camping area. See map. Competitors are strongly encouraged to place car trailers there so we have maximum room in the show-ring area to keep most of our competitors close in.

Service Bays

Service bays will be marked out on the ground in paint. They will be at a minimum approximately 10m wide x 12m deep. Please respect other competitors and stay within the boundaries so more people can fit inside.

Rubbish

There will be large industrial rubbish bins placed near the ring. Please ensure all rubbish is placed into those. No hazardous wastes, oil or fuel allowed please. Please consider the organisers who will also want to get home on Sunday and finally relax. Pick up your rubbish and either take it with you or place in the bin before you leave the area, PLEASE DO NOT LEAVE for the organisers to pick up your rubbish.

Safety and Notes:

1. Weather conditions are very changeable – protect yourselves, Ensure you have sufficient water, food & protection from the sun;
2. Native wildlife at this time of year is on the move, especially snakes, kangaroos and deer. Watch where you walk, wear suitable clothing and be careful when driving;
3. Toilets are located near the Imbil Public Hall and at the southern end of the showgrounds below the main ring. Showers are located in the southern amenities block. (refer attached map);
4. Food and drink is available at the Imbil Public Hall (refer attached map);
5. First aid will be provided at the Showgrounds adjacent to the Imbil Public Hall at Rally HQ (refer attached map);
6. All Emergency communication will be conducted via Rally HQ (refer attached map);
7. In the event of an emergency, the assembly area is Rally HQ (refer attached map);
8. The organisers do not encourage pets (dogs, etc), however should they be brought to the event they are to be restrained by a collar and lead and kept under control at all times;
9. If you have young children, keep them under control. The service park can be very busy with a lot of traffic.
10. NO alcohol is to be consumed by Competitors or their Service Crew prior to the event finishing;
11. Fire extinguishers must be at the ready when refuelling and only in the designated area. No smoking in or around any vehicle being refuelled;
12. When using vehicle jacks and servicing raised vehicles, have jack stands under the car;
13. If you witness or are involved in an accident or incident at any of the event locations or public area, this must be reported to the Competitor Relations (CRO) Officer or the Event Secretary;

Everyone at this event has a responsibility to ensure not only their own safety, but the safety of others in their vicinity. Think globally, act locally.